



steamfast

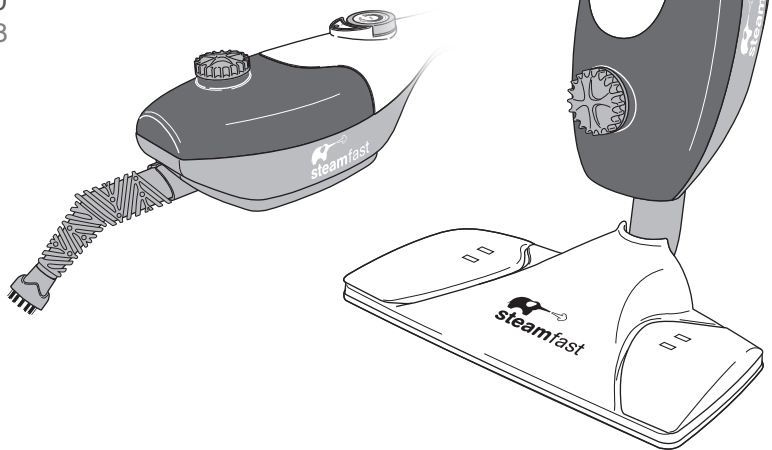
powerful. natural. intelligent.™

MODEL SF-294
MODÈLE SF-294
MODELO SF-294

3-in-1 Steam Mop Balai à vapeur 3-en-1 Trapeador a Vapor 3-en-1

Owner's Guide Mode d'emploi Guía del Usuario

ENGLISH p. 2
FRANÇAIS p. 20
ESPAÑOL p. 38



KEEP YOUR RECEIPT FOR WARRANTY PURPOSES

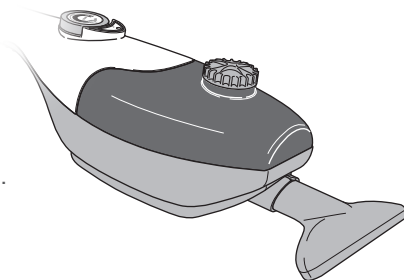
Please read all instructions before use.

GARDEZ VOTRE REÇU AUX FINS DE LA GARANTIE

Veuillez lire toutes les instructions avant l'utilisation.

GUARDE SU RECIBO A EFECTOS DE LA GARANTÍA

Lea todas las instrucciones antes de usarlo.



IMPORTANT SAFETY INSTRUCTIONS



WARNING: To reduce risk of fire, electrical shock or injury, the following basic safety precautions should always be followed when using an electrical appliance.

WARNING: To reduce the risk of electrical shock, this appliance uses a grounded (three-pronged) plug. This plug will fit in a grounded wall outlet only one way. If the plug does not correctly fit in the outlet, contact a licensed electrician to install a proper outlet. **DO NOT** attempt to modify the plug or defeat this safety feature.

READ ALL INSTRUCTIONS BEFORE USE



DANGER

Any appliance is electrically live even when switched off. To reduce risk of electrical shock:

1. Always unplug power cord immediately after using.
2. Do not place or store unit where it can fall or be pulled into a sink or tub.
3. Do not place in, or drop into water or other liquid.
4. If unit falls into water, immediately unplug power cord. Do not reach into the water.



WARNING

To reduce risk of burns, electrocution, fire, or injury to persons:

1. Use 3-in-1 Steam Mop only for its intended purpose as indicated in this manual.
2. If an extension cord is necessary, use a properly rated cord (15 ampere, 14 gauge). Use care to position extension cord where it is least likely to be damaged or tripped over during use.
3. Before plugging power cord into electrical outlet, be sure that all electrical information on rating label agrees with your power supply.
4. To reduce likelihood of circuit overload, **DO NOT** operate another high wattage appliance on the same circuit as this unit.
5. To protect against risk of electrical shock, do not immerse unit in water or other liquids. Do not use power cord as handle, let it hang over edges of counters, or be crimped or closed in doors.
6. Never yank power cord to disconnect from outlet; instead, grasp plug and pull to disconnect.
7. Do not operate unit with a damaged power cord or if the unit has been dropped or damaged. To avoid risk of electrical shock, do not disassemble unit; contact Steamfast Consumer Service for examination and repair. Incorrect reassembly can cause a risk of electrical shock when unit is used.
8. Close supervision is required for any appliance being used near children, pets and plants. Do not leave unit unattended while plugged in.
9. This unit is not intended for use by persons (including children) with reduced physical, sensory or mental capabilities, or lack of experience and knowledge, unless they have been given supervision or instruction concerning use of the unit by a person responsible for their safety.

-
10. Do not use unit where aerosol-based products are being used, or where oxygen is being administered.
 11. Unit is only meant to be used with recommended SF-294 3-in-1 Steam Mop accessories. Using other types of attachments may cause damage to unit or injury.
 12. If Power Indicator Light does not illuminate when Steam Control Dial is turned past “OFF” setting, unit is not operating normally. Immediately turn unit off and disconnect from power supply – have unit serviced by qualified service personnel.
 13. When filling Water Tank, only water should be used in unit – other cleaning agents could damage unit or cause injury. Distilled or de-mineralized water is highly recommended, in order to minimize potential build-up of mineral deposits. Do not overfill unit.
 14. Do not attempt to use unit without properly filling Water Tank.
 15. To reduce risk of contact with hot water emitting from Steam Nozzle, check appliance before each use by positioning it away from body and turning it on. Do not operate unit if Steam Nozzle is blocked.
 16. Burns can occur from touching hot metal parts, hot water, or steam. Do not touch Steam Nozzle or attempt to connect accessories while unit is in use. Use caution when you turn unit upside-down – there may be hot water in unit.
 17. Use caution when using unit on uneven surfaces, such as stairs.
 18. When steaming any surface for the first time, it is recommended that you consult the manufacturer’s guidelines for material being steamed. For items in question, test on a small inconspicuous area before proceeding.
 19. Steaming unsealed hardwood or unglazed ceramic surfaces is not recommended, and may result in warping or damage to the surface. Steam may remove the sheen from surfaces treated with wax.
 20. When steam mopping, never leave unit resting in one spot on any surface for any period of time – prolonged exposure to heat and moisture may damage floor surfaces.
 21. Do not allow power cord to touch hot surfaces during use. Wrap cord loosely around Cord Brackets when storing.
 22. Always allow 3-in-1 Steam Mop to cool completely (at least 30 minutes) and empty Water Tank before storing. Do not store unit with a damp Microfiber Pad still attached.

SAVE THESE INSTRUCTIONS!

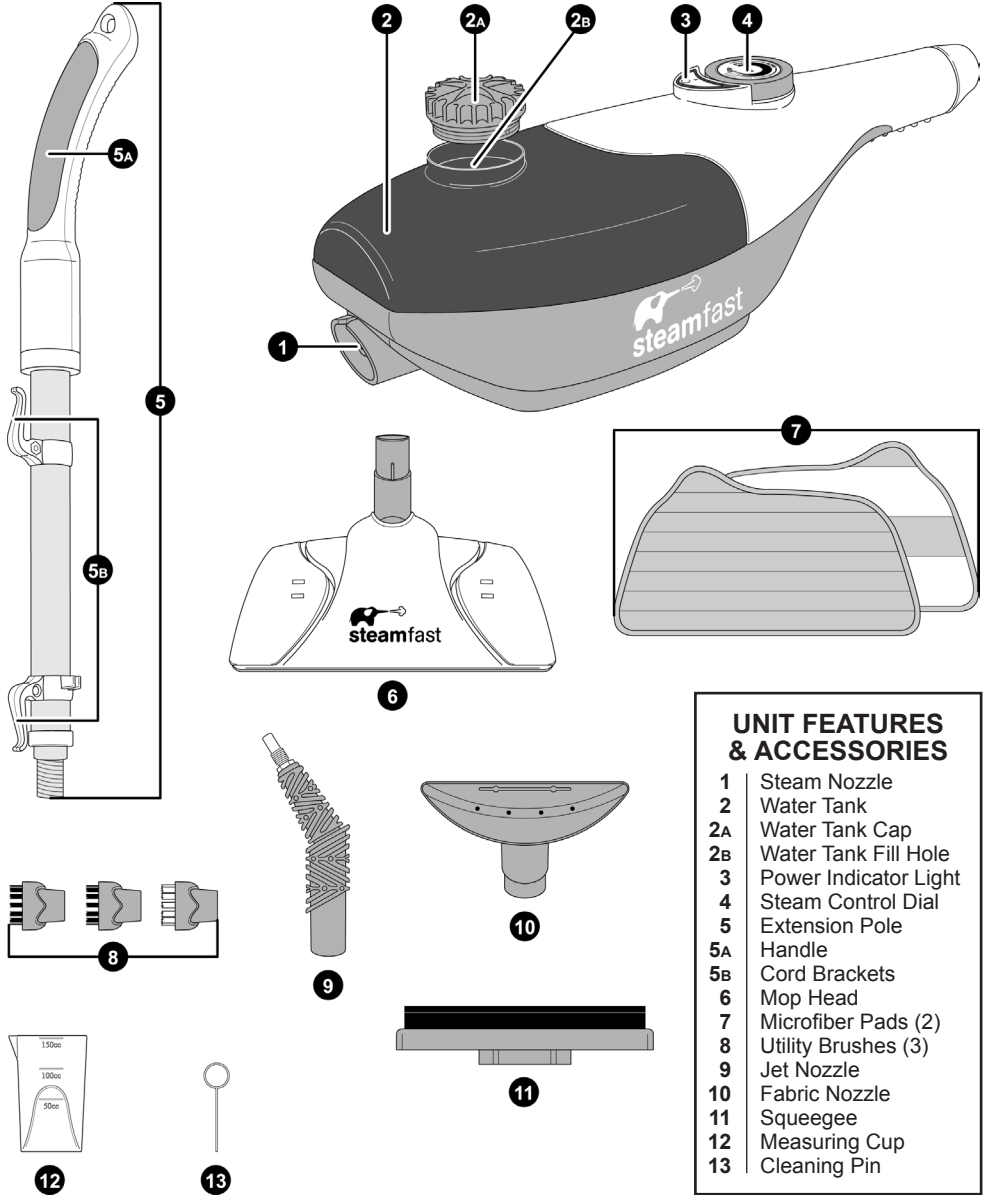
FOR HOUSEHOLD USE ONLY

Questions or comments?

- www.steamfast.com
- consumerservice@steamfast.com
- 1-800-711-6617



The following features and accessories are included with your 3-in-1 Steam Mop. Carefully inspect the packing material for all parts listed below. To obtain possible missing parts, refer to **Product Support** on Pages 17 & 18 of this manual.



UNIT FEATURES & ACCESSORIES

- 1 Steam Nozzle
- 2 Water Tank
- 2A Water Tank Cap
- 2B Water Tank Fill Hole
- 3 Power Indicator Light
- 4 Steam Control Dial
- 5 Extension Pole
- 5A Handle
- 5B Cord Brackets
- 6 Mop Head
- 7 Microfiber Pads (2)
- 8 Utility Brushes (3)
- 9 Jet Nozzle
- 10 Fabric Nozzle
- 11 Squeegee
- 12 Measuring Cup
- 13 Cleaning Pin

-
- The *Steam Nozzle* (1) emits the flow of hot, penetrating steam. The *Mop Head*, *Jet Nozzle* and *Fabric Nozzle* all connect to the *Steam Nozzle*.
 - The *Water Tank* (2) is the translucent reservoir where water is held before being transferred to the heat exchange and converted to steam. The *Water Tank* holds 15 oz. (450 ml.) of water.
 - The *Water Tank Cap* (2A) covers the *Water Tank Fill Hole*, and must be removed in order to fill the *Water Tank* with water.
 - The *Water Tank Fill Hole* (2B) is the opening through which water is poured into the *Water Tank*.
 - The *Power Indicator Light* (3) illuminates when the *Steam Control Dial* is set from “OFF” to any of the steam intensity settings, to indicate that the unit is powered on and heating.
 - The *Steam Control Dial* (4) is used to set desired steam intensity, as well as turn the unit on and off.
 - The *Extension Pole* (5) connects to the main body of the unit, and is designed for convenient use on floors, windows, and other out-of-reach surfaces.
 - The *Handle* (5A) provides a comfortable grip when using the *Extension Pole*.
 - The *Cord Brackets* (5B) provide a safe and convenient way to store the power cord when not in use.
 - The *Mop Head* (6) connects to the *Steam Nozzle*, for steam cleaning a variety of hard floors.

NOTE: It is NOT recommended that this unit be used on unsealed floors. Use care when steaming floors that may be warped or damaged by heat and moisture, and limit use of this unit on these types of surfaces.

- The *Microfiber Pads* (7) each attach to the pad grips on the bottom of the *Mop Head*. The *Pads* are designed to clean scuffs and stains from hard floors. The *Microfiber Pads* are reusable and machine washable. Two *Pads* are included.

NOTE: Microfiber Pads are not designed to absorb and collect large amounts of dirt. For best results, it is recommended to vacuum floor before mopping.

- The 3 *Utility Brushes* (8) connect to the *Jet Nozzle*, and are designed for scrubbing tough stains. There is a soft bristle *Brush* for scrubbing delicate items (such as children’s toys), a hard nylon *Brush* for general scrubbing (such as carpet), and a brass-bristled *Brush* for scrubbing metal surfaces (such as oven and grill racks).

NOTE: Use careful judgement when deciding what surface to clean with the brass *Utility Brush*. Some delicate surfaces, such as stainless steel, may be scratched or damaged by the brass bristles. If you are unsure whether or not a surface will be damaged, it is recommended that you test a small inconspicuous spot before proceeding.

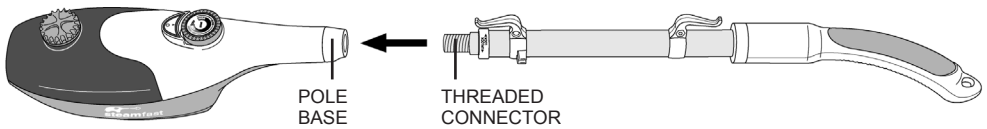
- The *Jet Nozzle* (9) connects to the *Steam Nozzle*, and is designed to focus the flow of steam for concentrated cleaning.
- The *Fabric Nozzle* (10) connects to the *Steam Nozzle*, and is designed to disperse the flow of steam for steaming fabrics, linens and upholstery. The *Fabric Nozzle* also serves as an adapter for connecting the *Squeegee*.
- The *Squeegee* (11) connects to the *Fabric Nozzle*, and is used for cleaning windows, mirrors, and other smooth glass surfaces.
- The *Measuring Cup* (12) is used to easily fill the *Water Tank* with water.
- The *Cleaning Pin* (13) is used to remove mineral deposits that may form in the opening of the *Steam Nozzle* and the attachments.

STEAM MOP SETUP

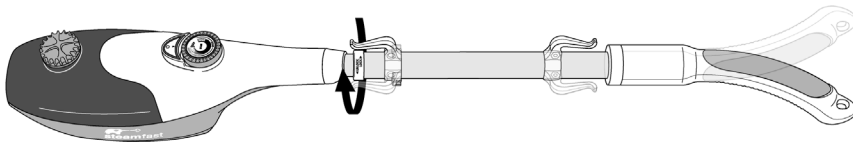
EXTENSION POLE

1. Insert threaded connector on bottom of Extension Pole into pole base on main unit (FIGURE 1-A).
2. Rotate Extension Pole in a clockwise direction as shown to screw it into pole base (FIGURE 1-B). Make sure Pole is tightly secured to main unit.
3. To adjust length of Extension Pole:
 - A) Rotate upper (thicker) section of Extension Pole in “UNLOCK” direction indicated on label to unlock it (FIGURE 1-C).
 - B) Adjust upper section to desired length (FIGURE 1-D).
 - C) Rotate upper section of Extension Pole in “LOCK” direction indicated on label to lock it back in place (FIGURE 1-E).

NOTE: Increasing length of Extension Pole may provide additional leverage for easier, more effective steam mopping.



A



B

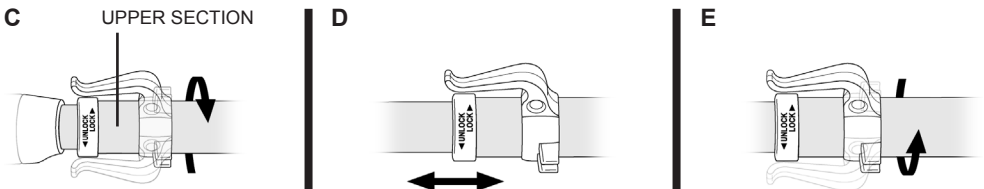


FIGURE 1

MOP HEAD

CAUTION: Always allow unit to cool before connecting/disconnecting any accessories.

1. Align Mop Head with main unit as shown (FIGURE 2), so that neck is in line with Steam Nozzle.
2. Slide Mop Head neck into Steam Nozzle, pressing firmly until release button snaps through hole.
3. To remove Mop Head, press firmly on release button while simultaneously pulling Mop Head away from Steam Nozzle.

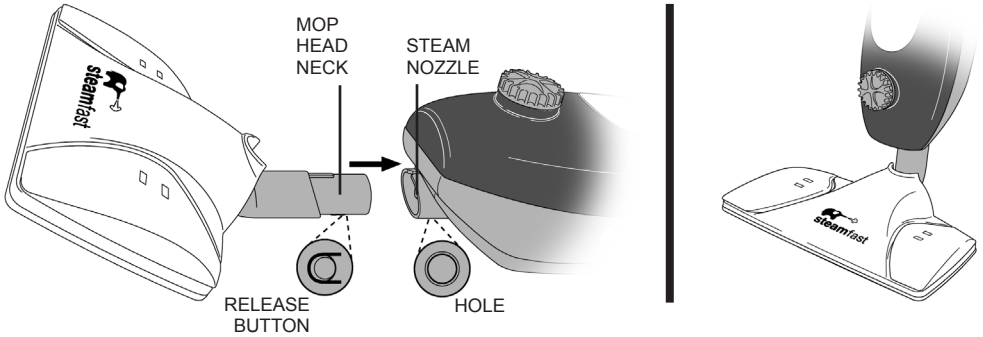


FIGURE 2

MICROFIBER PADS

1. Lay one Microfiber Pad on flat surface, with two fastener strips facing upward.
2. Align Mop Head above Microfiber Pad. Make sure Mop Head is oriented with Pad as shown, and centered as best as possible (FIGURE 3-A).
3. Press Mop Head firmly down onto Microfiber Pad. Fastener strips will adhere to pad grips on underside of Mop Head. Pad should now be attached and ready for use (FIGURE 3-B).

CAUTION: Use care when handling a recently used Microfiber Pad, as it may still be hot.

NOTE: Microfiber Pads are machine washable. To avoid picking up lint, washing separately from other fabrics is recommended. Only use liquid detergent. Avoid using any fabric softeners or bleach. Air drying is recommended; machine drying on a low setting is acceptable as well.

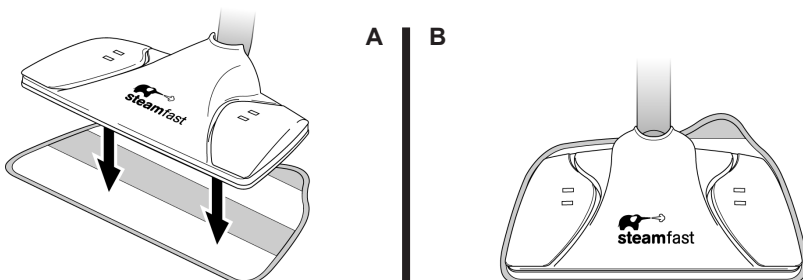


FIGURE 3

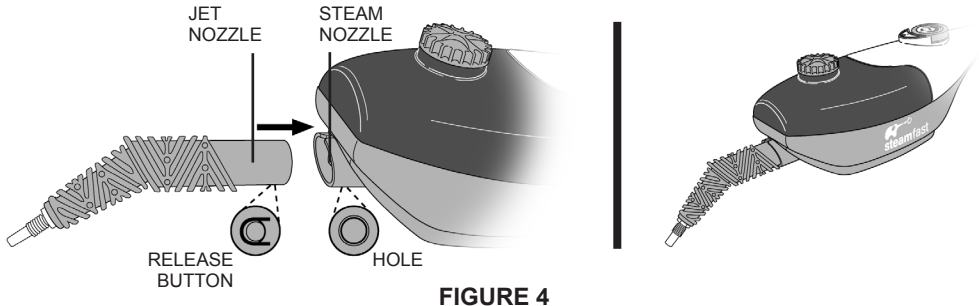


STEAM CLEANER SETUP

JET NOZZLE

CAUTION: Always allow unit to cool before connecting/disconnecting any accessories.

1. Align Jet Nozzle with Steam Nozzle as shown (FIGURE 4).
2. Slide Jet Nozzle into Steam Nozzle, pressing firmly until release button snaps through hole.
3. To remove Jet Nozzle, press firmly on release button while simultaneously pulling Jet Nozzle away from Steam Nozzle.



UTILITY BRUSHES

CAUTION: Metal tip of Jet Nozzle becomes hot during use. Always allow unit to cool before connecting/disconnecting any accessories.

1. Align Utility Brush with tip of Jet Nozzle as shown (FIGURE 5-A), and press it firmly on as far as it will go. Screw Utility Brush onto Jet Nozzle as shown, until secured tightly in place (FIGURE 5-B).



SQUEEGEE

CAUTION: Always allow unit to cool before connecting/disconnecting any accessories.

1. Align Squeegee with Fabric Nozzle as shown (FIGURE 6-A).
2. Insert tab on Squeegee into slot on face of Fabric Nozzle (FIGURE 6-B). Press in until secure.
3. To remove Squeegee, simply pull it off of Fabric Nozzle. It does not need to be released or otherwise unlocked.

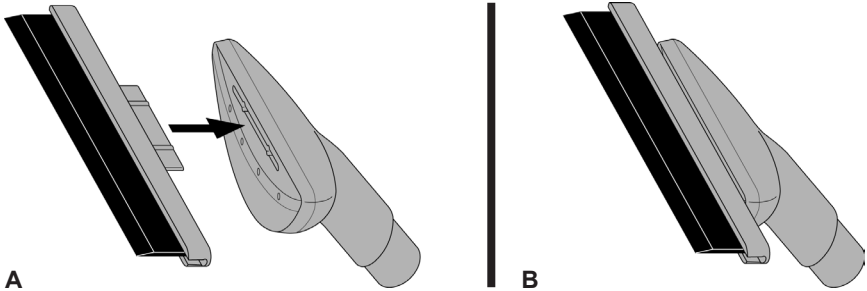


FIGURE 6

FABRIC STEAMER SETUP

FABRIC NOZZLE

CAUTION: Always allow unit to cool before connecting/disconnecting any accessories.

1. Align Fabric Nozzle with Steam Nozzle as shown (FIGURE 7).
2. Slide Fabric Nozzle into Steam Nozzle, pressing firmly until release button snaps through hole.
3. To remove Fabric Nozzle, press firmly on release button while simultaneously pulling Fabric Nozzle away from Steam Nozzle.

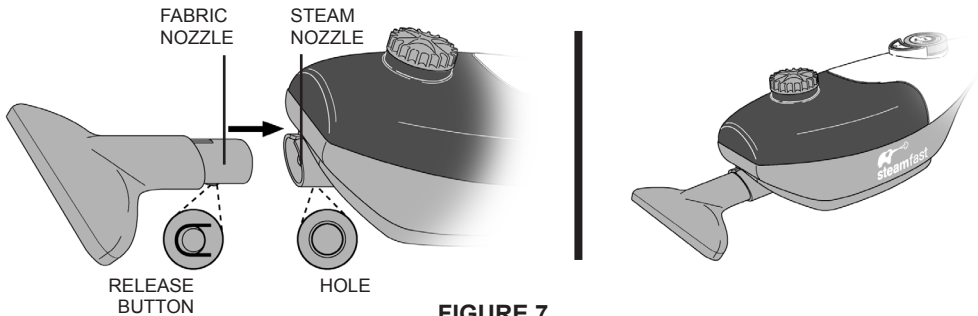


FIGURE 7

FILLING WATER TANK

NOTE: Do not remove or cut small rubber air valve on top of Water Tank Cap (FIGURE 8-A). Do not turn unit upside-down when Water Tank is full - a small amount of water may leak out.

1. Make sure Steam Control Dial is set to “OFF” position.
2. Rotate Water Tank Cap one quarter turn in “unlock” direction (counter-clockwise) indicated by illustration on Cap, and remove.
3. Carefully fill Measuring Cup with maximum amount of water (5 oz. / 150 ml.) and pour into Water Tank through Fill Hole. Repeat up to two more times to fill Water Tank to maximum capacity (15 oz. / 450 ml.).

NOTE: In order to significantly reduce mineral build-up and prolong the life of your 3-in-1 Steam Mop, use of distilled or de-mineralized water in the unit is highly recommended. Refer to Page 15 for more information about mineral build-up.

4. Replace Water Tank Cap so that thread grooves on bottom of Cap (FIGURE 8-B) align with tabs inside Fill Hole (FIGURE 8-C). Press Water Tank Cap down so that it sits flush with top of Fill Hole (FIGURE 8-D). Rotate one quarter turn in clockwise direction (as indicated by “lock” illustration on Cap) to lock it in place.

NOTE: The tube that transfers water from the Water Tank to the boiler is weighted down with a brass ball. This is an intentional design to improve efficiency of water usage. It is normal for this ball to create a rattling sound inside of Water Tank during use.

If you think brass ball has come loose from tube, refer to troubleshooting guide on Page 16 for directions to reconnect it.

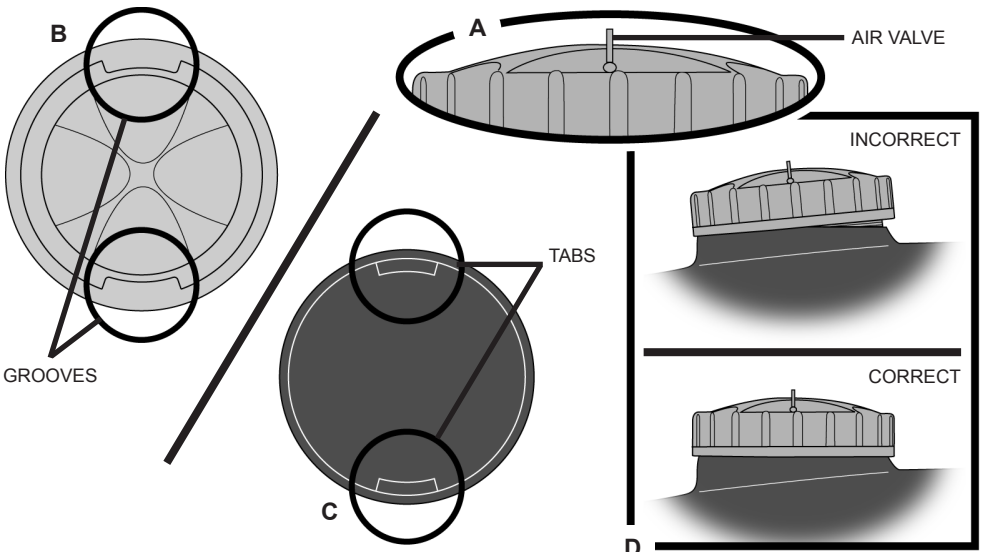


FIGURE 8

GENERAL OPERATION

NOTE: Be sure that Water Tank has been filled and all desired accessories are connected before following these steps.

1. For first-time use, remove protective plastic cover that is shipped on electrical plug. Plug power cord into a convenient electrical outlet.
2. Turn Steam Control Dial clockwise from “OFF” position to desired steam setting (FIGURE 9). Power Indicator Light will immediately illuminate to indicate that unit is powered on and heating.

NOTE: Steam settings are broken down by intensity (“LOW” & “HIGH”) as well as function (“MOP/FABRIC” & “HANDHELD CLEANER”). Refer to Page 13 for more information about selecting steam settings.

3. After approximately 30 seconds, you will hear a buzzing sound as unit begins to emit steam.
4. Direct Steam Nozzle (with any connected accessories) towards surface you wish to steam. Refer to **Steam Mopping** section below, as well as **Fabric Steaming** and **Steam Cleaning** sections on Page 12, for further details.

CAUTION: Always be sure that Steam Nozzle and any accessories are pointed in a safe direction (away from yourself, other people, pets and plants) when steaming.

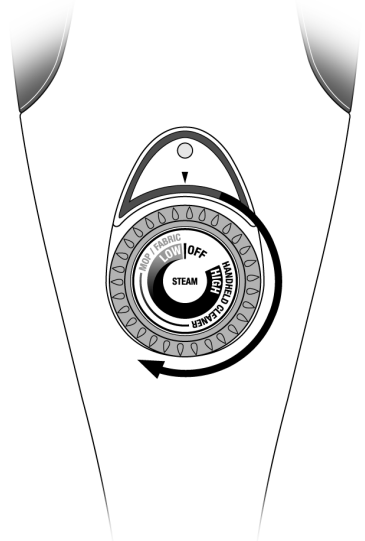


FIGURE 9

STEAM MOPPING

NOTE: It is recommended to sweep or vacuum floors before mopping.

- Make sure Extension Pole, Mop Head and a Microfiber Pad are all properly connected. Refer to Pages 6 & 7 for details.
- Follow **General** operating instructions above to begin steaming. For best results, set unit within “MOP/FABRIC” range as indicated on Steam Control Dial.

NOTE: Only “LOW” setting is recommended for hardwood floors.

- Mop using a steady back-and-forth motion over the floor, working your way backwards in order to avoid walking over the freshly mopped area.

NOTE: To avoid warping or damage caused by heat and moisture, do not use on unsealed hardwood or unglazed ceramic surfaces. Steam may remove the sheen from some floors that have been treated with wax.

- To effectively kill bacteria and microorganisms, repeatedly mop a single small area (approximately 3' x 3' for best results) for at least 2 minutes.
- The Microfiber Pad will absorb moisture during mopping. However, depending on floor surface and steam intensity setting, some residual moisture may be left behind. In this case, it is recommended to allow floor time to air-dry. A fan may be directed towards mopped area to facilitate drying.
- Due to large size of the Mop Head, it may have difficulty completely cleaning certain types of floors (such as ceramic tile) that include crevices of grouting. To more thoroughly clean floor grout, it is recommended to use 3-in-1 Steam Mop in steam cleaning mode. Refer to **Steam Cleaning** section on Page 12 for details.



FABRIC STEAMING

CAUTION: When steaming any material for the first time, it is recommended that you test on a small inconspicuous area before proceeding. Do not use on synthetic fabrics, velvet, or other steam-sensitive materials.

NOTE: The lowest setting on the Steam Control Dial is recommended to minimize water spotting.

- Make sure Fabric Nozzle is properly connected. Refer to Page 9 for details.
- For general steaming convenience, Extension Pole should be removed so that unit functions as a handheld fabric steamer. However, Pole may be attached for steaming hard-to-reach spots, such as high curtains. **BE CAREFUL TO SUPPORT POLE WITH TWO HANDS WHEN LIFTING.**
- Follow **General** operating instructions on Page 11 to begin steaming. For best results, set unit within "FABRIC" range as indicated on Steam Control Dial.
- For fabrics and linens, direct Fabric Nozzle towards material you wish to steam, and keep the flow of steam focused there. Using a slight back-and-forth motion over the area you are steaming will further enhance the steaming process.
- For garments:
 - Hang garment from a clean, rust-free hanger.
 - Direct Fabric Nozzle towards bottom of garment. Steam will rise along inside and outside of material, removing wrinkles. Slowly slide Fabric Nozzle upward from bottom to top of garment.
 - Direct Fabric Nozzle away from garment and smooth material with your free hand.
 - Repeat as necessary until garment is fresh and wrinkle-free.
- General steaming tips:
 - Curtains and draperies can be steamed while still hanging.
 - To remove wrinkles from towels, handkerchiefs and napkins, drape them over a rod or towel rack and gently steam them.
 - Heavier fabrics may require repeated steaming to achieve desired results.
 - To remove exceptionally stubborn wrinkles, steam both sides of fabric.
 - Be especially careful when steaming any delicate fabrics that may be damaged by water spotting.

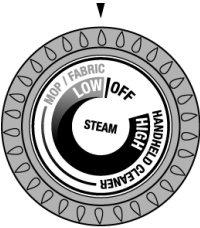
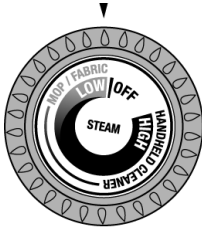

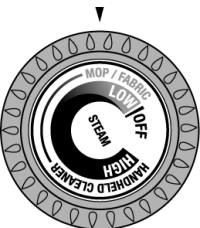
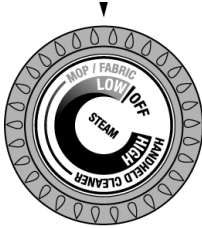
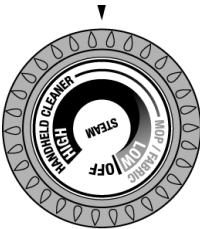

STEAM CLEANING

CAUTION: When steaming any surface for the first time, it is recommended that you test on a small inconspicuous area before proceeding. Do not use on leather, wax, polished furniture and floors, or other delicate, steam-sensitive surfaces.

- Make sure desired cleaning accessories (Jet Nozzle / Utility Brush / Fabric Nozzle with Squeegee) are properly connected. Refer to Pages 8 & 9 for details.
- For general cleaning convenience, Extension Pole should be removed so that unit functions as a handheld steam cleaner. However, Pole may be attached for cleaning hard-to-reach spots, such as floor grout or ceilings. **BE CAREFUL TO SUPPORT POLE WITH TWO HANDS WHEN LIFTING.**
- Follow **General** operating instructions on Page 11 to begin steaming. For best results, set unit within "HANDHELD CLEANER" range as indicated on Steam Control Dial.
- Direct Jet Nozzle towards surface you wish to steam. Use a slight back-and-forth motion over area to enhance the cleaning process. To sanitize surfaces, set Steam Control Dial to "HIGH" and hold Jet Nozzle approximately 1/2 inch from surface for at least 5 seconds. This will most effectively kill germs and bacteria.
- When using Squeegee, start by thoroughly steaming entire window or mirror, then turn steam off. Next, press Squeegee to top of window or mirror, and pull slowly downward. Move slowly from one side of the surface to the other in this fashion until entire surface is clean.
- Wipe steamed areas with a clean cloth to remove loosened dirt and grime. Wiping the area while it is still wet is recommended, but use caution when wiping surfaces such as metal that may still be hot.

APPLICATIONS

Below is a listing of some possible applications of the 3-in-1 Steam Mop, including recommended settings for the Steam Control Dial. These are intended to provide some general guidelines; as you become more familiar with your steamer; you will likely discover a wide variety of other uses around your home. Refer to the **General Steaming Tips** section on Page 14 for more suggestions for utilizing the power of steam.

STEAM MOPPING	FABRIC STEAMING	STEAM CLEANING
 <p>Smooth, flat surfaces</p> <ul style="list-style-type: none"> • Sealed hardwood • Sealed laminate • Linoleum • Ceramic • Granite • Marble 	 <ul style="list-style-type: none"> • Most fabrics • Garments • Upholstery 	 <ul style="list-style-type: none"> • Windows / mirrors
 <p>Textured, porous surfaces</p> <ul style="list-style-type: none"> • Stained concrete • Vinyl • Tile 	 <ul style="list-style-type: none"> • Heavy fabrics • Curtains & drapes 	 <ul style="list-style-type: none"> • Toddler toys & accessories • Carpet • Jewelry
<p>NOTE: It is recommended to use the lowest possible Steam Control Dial setting that completes your task while remaining easy and convenient. Start with lower settings and increase only as needed to quickly and easily achieve your desired results. Higher steam settings increase the amount of moisture being emitted with the steam.</p>		 <ul style="list-style-type: none"> • Tough stains • Kitchen / bath fixtures • Ceramic tile / grout • Ovens / BBQ grills • Stove / counter tops

GENERAL STEAMING TIPS

You will find nearly limitless uses for your 3-in-1 Steam Mop. There are no rules when it comes to steam cleaning and/or the attachments you received with your unit. Use whichever attachment seems to accomplish the intended job quickly and easily. Below are a few starting guidelines:

- Many surfaces only require to be sprayed with the Jet Nozzle to clean and disinfect them, then wiped with a clean dry cloth, towel, or paper towel.
EX: kitchen counters, microwaves, stove tops, bathroom sinks, kitchen and bath fixtures
 - The soft bristle and hard nylon Utility Brushes can be used on most surfaces for hard-to-remove dirt, grime spots or stains.
EX: baked on food on ovens and oven doors, baked on stove top spills, bath and/or kitchen grease and grime, rubber seal on the refrigerator, under/around bath and kitchen fixtures, bath tile seams, grouting
- NOTE: Use careful judgement when deciding what surface to clean with any Utility Brush. Some delicate surfaces may be scratched or damaged by the bristles. If you are unsure whether or not a surface will be damaged, it is recommended that you test a small inconspicuous spot before proceeding.**
- Steam is effective for removing spots and stains from clothing and upholstery. This can be done with steam alone or with a stain remover designed for your specific use. DO NOT put any type of chemical or liquid product in your steamer however; only water is to be used in the unit.
 - Older, dried stains on carpet or hard floor surfaces may require a bit of extra scrubbing with one of the Utility Brushes and/or a product designed for stain removal. It is helpful on carpet to blot with a clean dry towel to help remove the spot/stain.
 - The brass Utility Brush is useful for heavy-duty jobs and durable surfaces such as BBQ grills, oven racks, etc. DO NOT use this Brush on anything that the hard bristles might scratch or damage.
 - The Extension Pole should be attached for mopping floors, but is also useful for reaching overhead or otherwise hard-to-reach places. When raising unit to reach high places, it is best to grasp Pole with both hands for better support.

This should help to get you started with your new 3-in-1 Steam Mop. As you use your steamer, you will find what works best for you and your cleaning projects. Should you have any questions on how to best utilize your new steamer, please feel free to contact our Consumer Service Department at:

1-800-711-6617 or consumerservice@steamfast.com



PROPER STORAGE

Preparing your 3-in-1 Steam Mop for storage is quick and simple. When you have completed your tasks, follow the steps listed below.

1. Set Steam Control Dial to “OFF” and unplug power cord from electrical outlet.
2. Allow unit time to cool (at least 5 minutes).
3. Remove all attachments and accessories from unit.
4. Remove Water Tank Cap and drain any remaining water from Water Tank into a sink or tub to minimize potential mineral build-up. Replace Water Tank Cap when done.
5. Collapse Extension Pole to shortest length and wrap power cord around Cord Brackets.
6. Store 3-in-1 Steam Mop in a cool, dry location, along with all included accessories.

MINERAL BUILD-UP

A common maintenance need for steam appliances is the removal of build-up caused by high mineral content in many municipal water supplies. This mineral build-up may limit the effectiveness and reduce the life of your 3-in-1 Steam Mop.

The best way to minimize mineral build-up is to use distilled or de-mineralized water when using your 3-in-1 Steam Mop. In addition, it is recommended that the cleaning procedure below be followed at least once a month in order to remove any deposits that form. This will help to extend the life of your 3-in-1 Steam Mop and keep it functioning at its maximum potential.

To remove mineral build-up:

1. Follow STEPS 1-4 under **Proper Storage** section above. However, do not replace Water Tank Cap at the end of STEP 4.
2. Insert tip of Cleaning Pin into opening of Steam Nozzle to remove mineral build-up in nozzle. This may also be done to clean accessories such as the Jet Nozzle.
3. Fill included Measuring Cup with 3.5 oz. (100 ml.) distilled water and 1.5 oz. (50 ml.) vinegar.
4. Slowly pour water-vinegar solution into Water Tank through Fill Hole, then replace Water Tank Cap.
5. Plug in power cord and set Steam Control Dial to “HIGH”. Allow unit to steam for 1 minute, then set Steam Control Dial back to “OFF”.
6. Allow unit to sit for approximately 30 minutes, then set Steam Control Dial back to “HIGH” and allow the remainder of the Water Tank’s contents to be steamed out.
7. Once Water Tank is drained, turn unit off and refill Tank with 15 oz. (450 ml.) of fresh distilled water. Set Steam Control Dial back to “HIGH” and allow unit to steam until Water Tank is empty. Repeat as necessary until vinegar odor dissipates.
8. Set Steam Control Dial to “OFF”, unplug power cord and store 3-in-1 Steam Mop as usual.

IMPORTANT: On average, it is recommended that you follow the mineral build-up removal procedure once per month (if unit is used once every week). More frequent use may require following the procedure more often in order to keep your 3-in-1 Steam Mop operating at full potential. Do not exceed 20 hours of use without cleaning out mineral build-up.



PROBLEM	POSSIBLE CAUSE	SOLUTION
Unit fails to heat up. Power Indicator Light DOES NOT illuminate.	Unit is not plugged in.	Plug power cord into electrical outlet.
	Steam Control Dial is set to "OFF" position.	Turn Dial clockwise to desired steam intensity setting.
	Household circuit breaker / ground fault interrupter has tripped or blown a fuse.	Reset circuit breaker / ground fault interrupter, or replace fuse. If you need assistance, contact a licensed electrician.
	Unit is damaged or otherwise in need of repair.	Immediately cease usage and unplug. Contact Consumer Service for further assistance (see Page 17 for details).
Unit heats up, but fails to steam. Power Indicator Light does illuminate. (NOTE: Always allow proper time for unit to heat up and begin producing steam.)	Water Tank is empty.	Refer to Filling Water Tank procedure on Page 10.
	Mineral build-up in unit.	Refer to Mineral Build-up section on Page 15 for cleaning procedure.
	Weighted brass ball connected to end of water tube inside Water Tank has come loose.	If brass ball has become disconnected from tube, simply reattach it by snapping it back onto black nozzle at end of tube.
Steam output is weak or intermittent.	Steam Control Dial is set to "LOW".	Increasing the Dial setting will result in a stronger (and wetter) flow of steam. Refer to Pages 11-13 for more information.
	Mineral build-up in unit.	Refer to Mineral Build-up section on Page 15 for cleaning procedure.
Excess water in steam flow.	Steam Control Dial is set to "HIGH".	At "HIGH" setting, some amount of water may be released along with the steam. Decreasing the Dial setting will reduce this water spotting.
Rattling sound is heard coming from Water Tank.	Sound is being caused by weighted brass ball connected to end of water tube inside Tank.	The weighted brass ball is an intentional design that helps the unit more efficiently utilize all water inside of Water Tank. If brass ball has become disconnected simply insert it back into end of tube.
Floor surfaces appear cloudy or streaky after steaming.	Microfiber Pad is dirty.	Replace Microfiber Pad with a clean one.
	Hard water residue on floor.	Switch to distilled or de-mineralized water.



CONSUMER SERVICES

For problems with your 3-in-1 Steam Mop, please refer to the troubleshooting guide located on Page 16 of this manual. Additional inquiries should be directed to our consumer support services through our Web site, www.steamfast.com.

If you do not have internet access, you may also contact our Consumer Service Department by telephone, at **1-800-711-6617**.

NOTE: In order for our Consumer Service representatives to help you as quickly and efficiently as possible, please have the following information ready before calling:

- Purchase information (where and when you purchased this product)
- Copy of purchase receipt / proof of purchase
- Product serial number (located on electrical specification label on back of unit)
- Date code (4-digit number located on electrical specification label)

For information regarding your 1 year limited warranty, refer to Page 19 of this manual.

PRODUCT SPECIFICATIONS

MODEL	SF-294
VOLTAGE	120V
WATTAGE	1300W
AMPERAGE	10.8A
WATER CAPACITY	15 OZ. (450 ML.)
HEATING TIME	30 SEC. (APPROXIMATE)
CONTINUOUS STEAM TIME	25 MIN. (LOW) / 6 MIN. (HIGH) (APPROXIMATE)
UNIT WEIGHT	4.6 LBS. (2.1 KG.)
UNIT DIMENSIONS	11.0" (28.0 CM.) x 5.5" (14.0 CM.) x 49.2" (125.0 CM.)
POWER CORD LENGTH	19.0' (575.0 CM.)



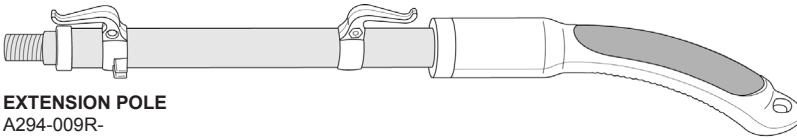
ACCESSORIES & PARTS

When ordering accessories and parts for your 3-in-1 Steam Mop, you may refer to the part numbers below. Replacement parts may be ordered through our Web site:

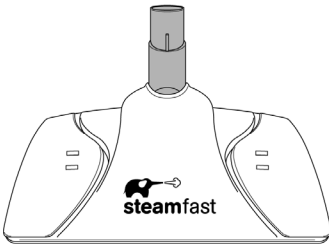
www.steamfast.com

You may also contact Consumer Service directly:

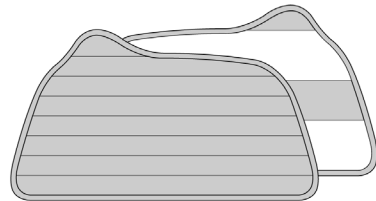
consumerservice@steamfast.com or **1-800-711-6617**



EXTENSION POLE
A294-009R-



MOP HEAD
A294-010RA



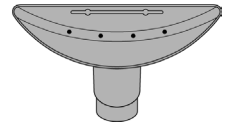
MICROFIBER PADS (2)
A292-000RA



JET NOZZLE
A294-012R-



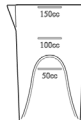
SQUEEGEE
A294-005R-



FABRIC NOZZLE
A294-006R-



HARD NYLON UTILITY BRUSH
A294-001R-



MEASURING CUP
A292-007R-



SOFT BRISTLE UTILITY BRUSH
A294-001SR-



CLEANING PIN
A292-011R-



BRASS UTILITY BRUSH
A294-002R-



steamfast

Warranty Information

1 YEAR LIMITED WARRANTY

Steamfast, a division of Vornado Air LLC, ("Steamfast") warrants to the original consumer or purchaser this Steamfast 3-in-1 Steam Mop ("Product") is free from defects in material or workmanship for a period of one (1) year from the date of purchase. If any such defect is discovered within the warranty period, Vornado, at its discretion, will repair or replace the Product at no cost if the Product is returned to Steamfast postage-paid. Repairs not covered by the warranty or outside the warranty period will require a fee to cover the cost of materials, handling and shipping.

This warranty does not apply to defects resulting from abuse of the Product, modification, alteration, repair or service of the Product by anyone other than Steamfast, mishandling, improper maintenance, commercial use of the Product, damages which occur in shipment or are attributed to acts of God.

REPAIR OR REPLACEMENT AS PROVIDED UNDER THIS WARRANTY IS THE EXCLUSIVE REMEDY OF THE CONSUMER. STEAMFAST SHALL NOT BE LIABLE FOR ANY INCIDENTAL OR CONSEQUENTIAL DAMAGES FOR BREACH OF ANY EXPRESS OR IMPLIED WARRANTY ON THIS PRODUCT. EXCEPT TO THE EXTENT PROHIBITED BY APPLICABLE LAW, ANY IMPLIED WARRANTY OF MERCHANTABILITY OR FITNESS FOR A PARTICULAR PURPOSE ON THIS PRODUCT IS LIMITED IN DURATION TO THE DURATION OF THIS WARRANTY.

Some states do not allow the exclusion or limitation of incidental or consequential damages, or allow limitations on how long an implied warranty lasts, so the above limitations or exclusions may not apply to you. This warranty gives you specific legal rights, and you may have other rights that vary from state to state.

For warranty or repair service, call 1-800-711-6617 or email consumerservice@steamfast.com to obtain a Return Authorization ("RA") form. Please have or include your Product's model number, date code and serial number, as well as your name, address, city, state, zip code and phone number when contacting Steamfast for warranty service. You may be required to provide the original sales receipt. For your records: Staple or attach your original sales receipt to this Owner's Guide. Please also write your Product's serial number below (located on product specs decal).

Serial No. _____

After receiving the RA form, ship your Product to:

Steamfast
Attn: Warranty & Repair
415 East 13th
Andover, KS 67002

To assure proper handling, packages must be clearly marked with the RA number. Packages not clearly marked with the RA number may be refused at the receiving dock.

Please allow 1-2 weeks for repair and return of your Product after the Product is received.

Product registration available online at www.steamfast.com

©2011 Vornado Air LLC • Andover, KS 67002
Specifications subject to change without notice.
Steamfast® is a trademark owned by Vornado Air LLC.
Manufactured in China.

Steamfast Consumer Services

W: www.steamfast.com • P: 1.800.711.6617 • E: consumerservice@steamfast.com



steamfast

powerful. natural. intelligent.™

review this product online
evalúe este producto en línea
évaluer ce produit en ligne

www.steamfast.com/reviews

Steamfast

415 East 13th, Andover, KS 67002

1-800-711-6617 | www.steamfast.com | consumerservice@steamfast.com